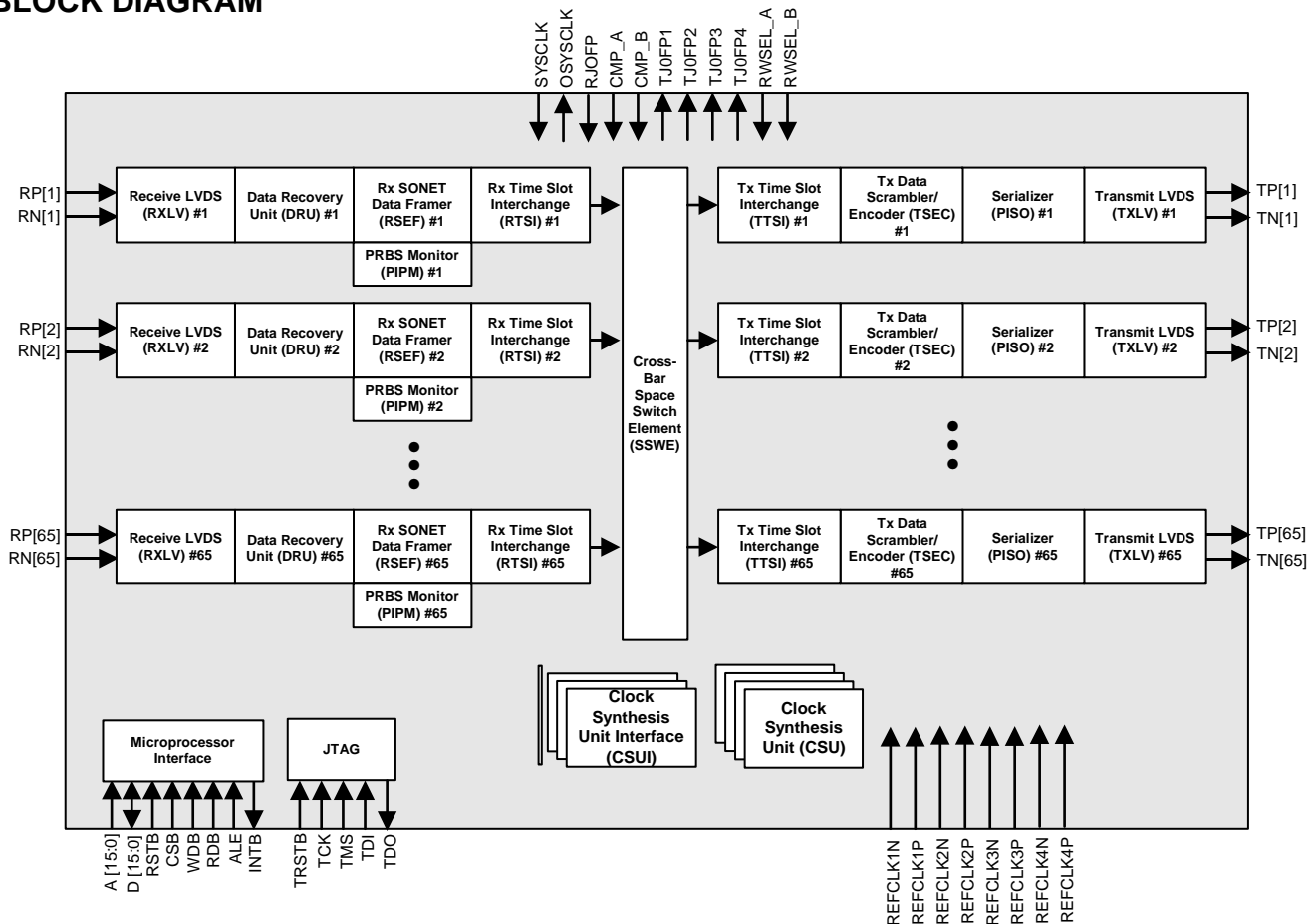


9.953 Gbit/s Telecom Bus Serializer

FEATURES

- The PM5307 TBS-9953 switches timeslots (down to an STS-1 granularity) from/to the line side interface to/from a system side working (W), protection (P), and optionally an auxiliary (A) interface.
- 4 sets of 16 port serial links:
 - 2 sets of 16 x 777.6 Mbit/s links (8B/10B encoded Serial TelecomBus).
 - 2 set of configurable 16 x 777.6 Mbit/s or 16 x 2.488 Gbit/s (SONET/SDH scrambled).
- Typical applications (line to system interfaces):
 - 16 x 777.6 Mbit/s to 3 x 16 x 777.6 Mbit/s (W,P,A)
 - 16 x 777.6 Mbit/s to 4x4x2.488 Gbit/s (W,P,A1,A2)
 - 2 x (16 x 777.6) Mbit/s to 2 x (2 x 4 x 2.488) Gbit/s (W, P) - Dual TBS
- 4 x 2.488 Gbit/s to 3 x 4 x 2.488 Gbit/s (W,P,A)
- Supports redundant working/protection time-space-time switch fabrics, including the PM5372 TSE and PM5374 TSE-160 devices.
- Supports STS-192c/STM-64c, STS-48c/STM-16c, STS-12c/STM-4c, and STS-3c/STM-1c traffic on the interface.
- Supports through-traffic, drop-traffic and protection switching in UPSR, 2-fiber BLSR and 4-fiber BLSR applications.
- Provides per link concatenated SONET PRBS generation/ monitoring for outgoing/ incoming LVDS data link for off-line link verification. 777.6 Mbit/s links can carry an STS-12c PRBS stream. 2.488 Gbit/s links can carry an STS-48c PRBS stream.
- Option to perform in-service link verification by checking and/or overwriting the Z2 byte of each constituent STS-1/STM-0 frame with a unique software programmable byte and its complement.
- Provides pins to coordinate updating of the connection map of the time-slot interchange blocks in the local device, peer PM5307 TBS-9953 devices, and companion PM5374 TSE-160 or PM5372 TSE devices.
- Provides two independent time domains for frame alignment purposes. The time domains for each link interface are selectable through the software interface.
- Driven by a 155.52 MHz reference clock.
- Implemented in 1.8 V core and 3.3 V I/O, 0.18 μm CMOS and packaged in a 1152 ball FCBGA.
- Provides a standard IEEE 1149.1 JTAG port.

BLOCK DIAGRAM



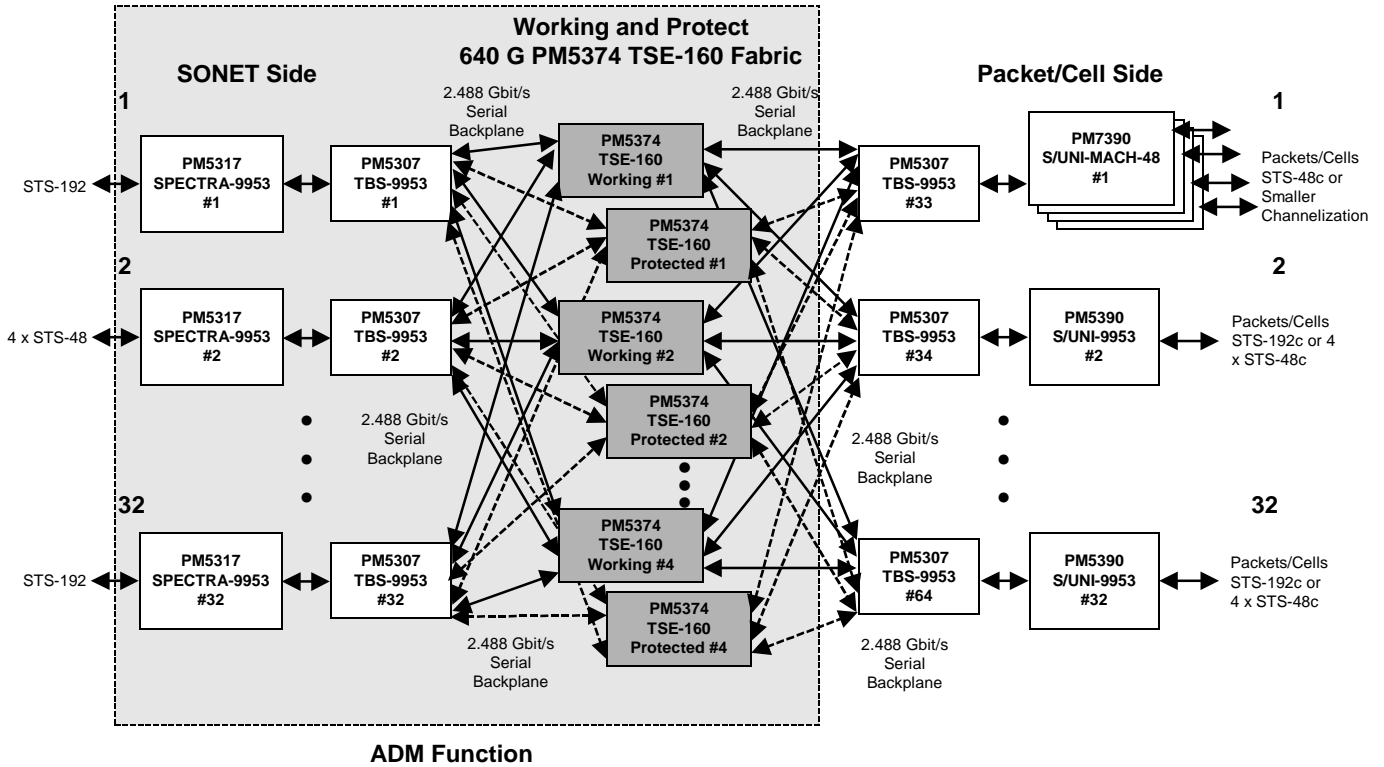
9.953 Gbit/s Telecom Bus Serializer

APPLICATIONS

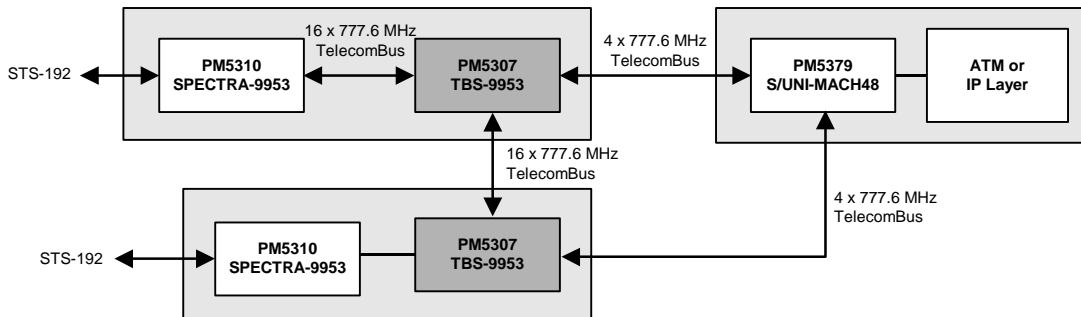
- Optical cross connects.
- SONET/SDH Add/Drop Multiplexers.
- Serial TelecomBus backplane driver.
- Multi-service provisioning platforms.
- SONET/SDH Digital Cross connects.

TYPICAL APPLICATIONS

MULTI-SERVICE SWITCH (WITH 2.488 GBIT/S SERIAL TELECOMBUS BACKPLANE)



OC-192 MULTI-SERVICE ADD/DROP MULTIPLEXER



Head Office:
 PMC-Sierra, Inc.
 #105 - 8555 Baxter Place
 Burnaby, B.C. V5A 4V7
 Canada
 Tel: 604.415.6000
 Fax: 604.415.6200

To order documentation,
 send email to:
 document@pmc-sierra.com
 or contact the head office,
 Attn: Document Coordinator

All product documentation is available
 on our web site at:
 http://www.pmc-sierra.com
 For corporate information,
 send email to:
 info@pmc-sierra.com

PMC-2001266 (A2)
 © Copyright PMC-Sierra,
 Inc. 2001. All rights reserved.
 S/UNI is a registered
 trademark of PMC-Sierra,
 Inc. SPECTRA and CHESSE
 are trademarks of PMC-
 Sierra, Inc.